



HAPERT
TRAILERS

HAPERT COBALT THE STRONGEST TIPPER.



**BRING
IT ON.**

WWW.HAPERT.COM



BRING IT ON.

Confidence

Has to be earned,
By being the strongest,
By doing what you believe in, right from the very start.

You need confidence to build for the future, to close old chapters
and start new ones.

Trust brings you together. It's what you have in each other, in your
friendship and what you pass on to the next generation.

We are HAPERT.

We've been building trust since 1966.
With skilful hands, and a passion for the business

An innovative approach, with a view to tomorrow.
Our trailers are built to get every job done.

Whatever the challenge, confidence gives you the power to handle
anything.

BRING IT ON!

Curious about our corporate video?
Then scan the QR-code.



REARWARD TIPPER.

Cobalt HB-1



Cobalt HB-2



THREE-SIDED TIPPER.

Cobalt HM-2



Cobalt HM-2 Ferro



Cobalt HM-3



Cobalt HM-3 Ferro



Cobalt +










SURPRISING STANDARD WITH...



Mechanism at the bottom of the side edges for mounting tie-down hooks

Bolted V-shaped drawbar

Hydraulic hand pump

Robust 3-stage hydraulic cylinder

Automatic fold-away support wheel

Welded and hot-dip galvanised chassis
with a 10-year chassis warranty



30 cm high aluminium walls,
collapsible on 4 sides



Hinge bushings welded
on all sides with hook



Built-in tension locks
(flush with the panels)

Sendzimir steel sheet, 1.5 mm,
mounted on a 15 mm plywood floor.
Or an equipped with a ferro floor.
One single piece, 3 mm. Galvanised
steel sheet. Except for HB 260x150
cm.

**U profile at
the rear**
except for HB
260x150 cm.



**TÜV certified load
securing system**



EXTRA OPTIONS FOR YOUR POWERHOUSE...

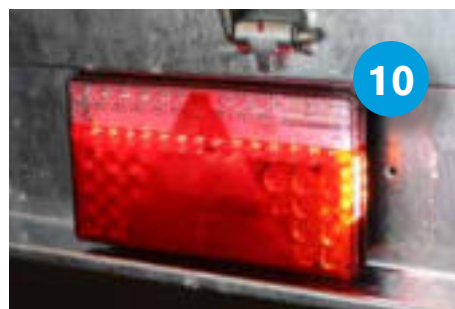
- 1 **Robust electric pump with battery**
- 2 **Removable control switch box** with extended coiled cable
- 3 **Detachable front rack** secured in the corner stanchions
- 4 **Emergency hand pump mounted** with electric operation
- 5 **Bolt-on hooks** on the inside of the side frame
- 6 **Drive-on package:** 2 integrated aluminium loading skids, 250 cm long, and 2 adjustable telescoping prop stands with crank. Except for 260x150 cm.
- 7 **Cargo net** (fine mesh)
- 8 **Rear panel hinged at top and bottom** only possible in conjunction with 40 cm high panels
- 9 **Removable and swinging wire-mesh rack** 75 cm high, fitted with flap closures
- 10 **LED lighting**
- 11 **Rear light cover**

Additional options:

Panels, 40 cm high (instead of 30 cm)

Removable aluminium walls with a height of 30 or 40 cm





Technical Data

COBALT HB-1

	260x150	280x160	305x160
Maximum Gross Weight	1350	1350	1350
Empty weight	446	507	541
Loading capacity	904	843	809
Weight class 1500 kg. empty weight	+5	+5	+5
Weight class 1800 kg. empty weight	+20	+20	+20
Model with drive-on package	-	+93	+93
Interiour length [A]	260	280	305
Interiour width [B]	150	160	160
Length drawbar [C]	120	134	134
Total length [D]	386	420	446
Total width [E]	156	166	166
Total height incl. ladder-rack [F]	146	146	146
Height of the loading floor [G]	66	66	66
Height of coupling [H]	40	43	43
Height of the walls [I]	30	30	30
Height ladder-rack [J]	50	50	50
Tip-angle [K]	46°	61°	54°
Tyre size	195/50R13	195/50R13	195/50R13
Number of fixing points integrated in the side	6	6	6
Number of recesses for rope hook to bolt	6	6	6

Options / weights

Electrical control + 45 kg

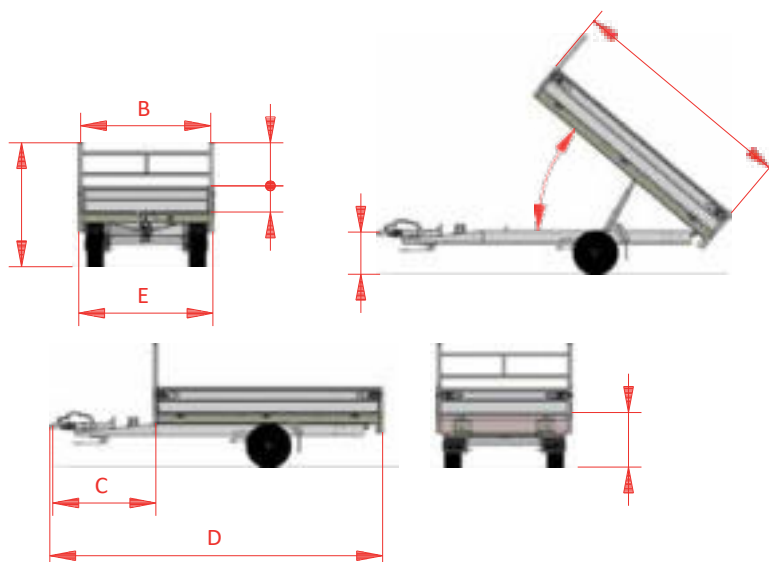
Weldmesh extension 75cm high:

Dimension 260x150: + 92 kg

Dimension 280x160: + 96 kg

Dimension 305x160: + 100 kg

TECHSPECS



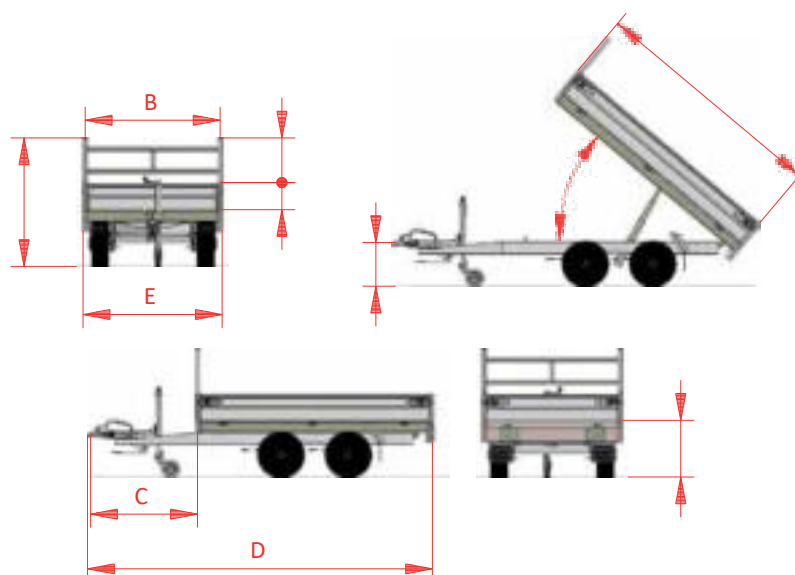
COBALT HB-2

		260x150	280x160	305x160
Maximum Gross Weight		2000	2000	2000
Empty weight		570	652	670
Loading capacity		1430	1348	1330
Weight class 2700 kg. empty weight		+5	+ 5	+ 5
Model with drive-on package		-	+ 93	+ 93
Interiour length	[A]	260	280	305
Interiour width	[B]	150	160	160
Length drawbar	[C]	120	134	134
Total length	[D]	386	420	446
Total width	[E]	156	166	166
Total height incl. ladder-rack	[F]	146	146	146
Height of the loading floor	[G]	66	66	66
Height of coupling	[H]	40	43	43
Height of the walls	[I]	30	30	30
Height ladder-rack	[J]	50	50	50
Tip-angle	[K]	45°	55°	50°
Tyre size		195/50R13	195/50R13	195/50R13
Number of fixing points integrated in the side		6	6	6
Number of recesses for rope hook to bolt		6	6	6

Options / weights

Electrical control	+ 45 kg
Weldmesh extension 75cm high:	
Dimension 260x150:	+ 92 kg
Dimension 280x160:	+ 96 kg
Dimension 305x160:	+ 100 kg

TECHSPECS



HAPERT CHASSIS WARRANTY

REGISTER AND RECEIVE A 10-YEAR WARRANTY ON THE CHASSIS + 1 YEAR ADDITIONAL FACTORY WARRANTY!



At HAPERT, we settle for nothing less than the best quality. That's why all our trailers are delivered as standard with the possibility to extend the warranty period to 2 years, and even up to 10 years on the chassis.

This is how it works:

- 1. Collect your trailer at your local HAPERT dealer**
- 2. Within 5 working days after your purchase, visit: www.hapert.com/register and register your trailer for an extended warranty**
- 3. We'll send you your updated warranty certificate by e-mail. Please store it safely!**

* having trouble registering your trailer online? Call us on +31 (0) 497 38 68 68. We would be happy to send you a printed copy.

* View our warranty policy for all conditions at: hapert.com/register

THE STRONGEST IS NOW ALSO THE SMARTEST



LEASE
FROM
52.00 EURO
/MONTH



HAPERT FULL SERVICE LEASE

Are you self-employed and need a trailer? Or does your company already use several trailers and would you like to expand your trailer fleet? Buying a new trailer can be a big investment for many entrepreneurs. That's why we are now offering the option of leasing your HAPERT trailer, so you don't have to invest a large sum. By choosing HAPERT Full-Service Lease, you only pay for the use of your trailer and the leasing company takes care of the rest. But that's not all. The costs for preventive maintenance are included in the lease price. Another benefit is that you don't need to add the trailer to your balance sheet because it isn't classified as a business asset.

LEASING AS EASY AS 123

- Operational Lease from € 3.000
- After the standard term of 5 years, the possibility to:
 - Take over ownership of the trailer at an attractive price
 - Lease a new trailer based on the same principles
- Including interest, depreciation, annual maintenance and insurance
- From € 52.00 a month

THE ADVANTAGES OF HAPERT FULL SERVICE LEASE

- ✓ You know exactly what you spend each month on a trailer
- ✓ No major investment needed and still enjoy use of a new trailer
- ✓ No need to add the trailer on your balance sheet, which can be financially advantageous
- ✓ Clear insight into the monthly costs
- ✓ Annual maintenance included; your trailer is always in top condition



HAPERT









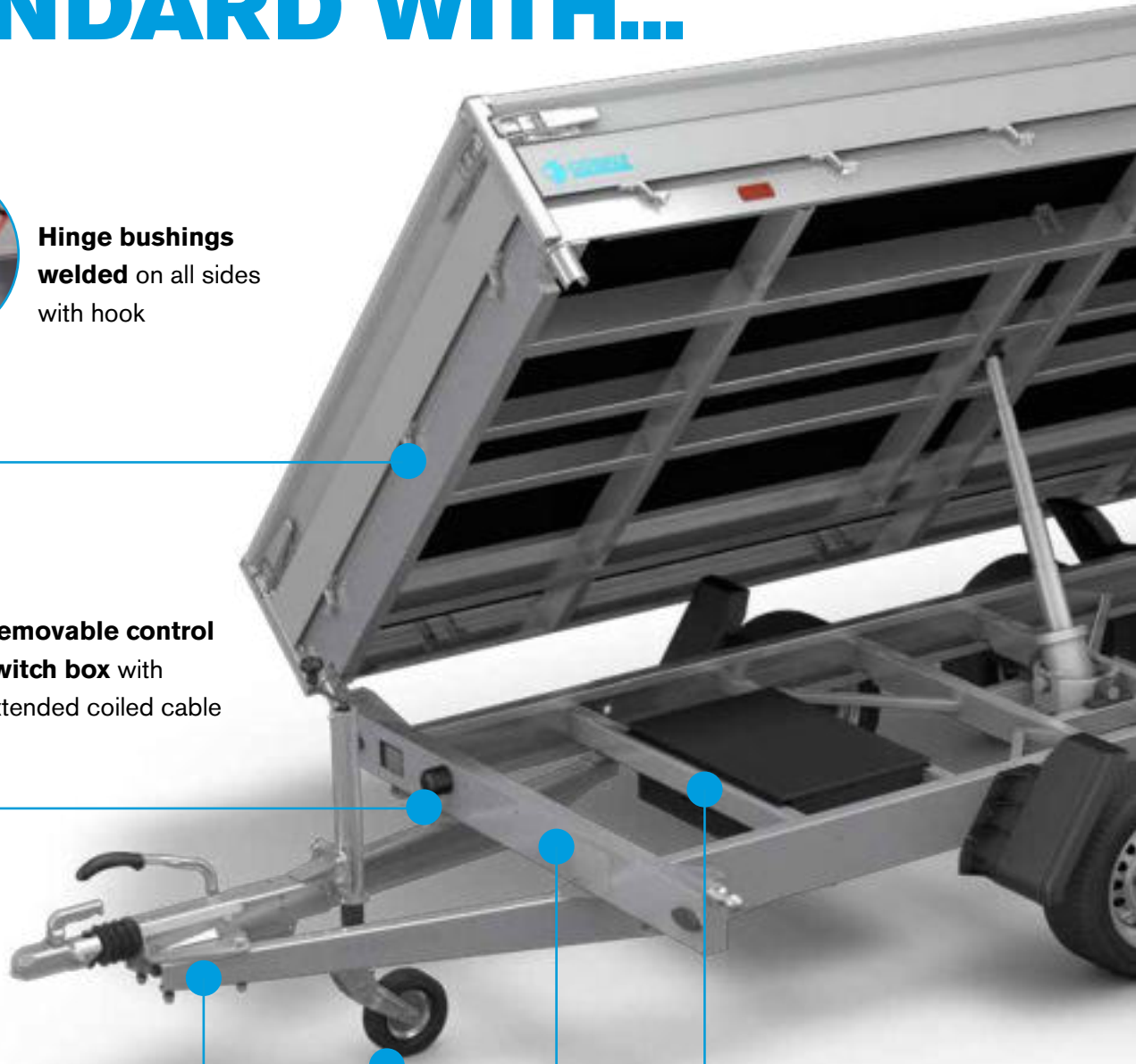
SURPRISING STANDARD WITH...



Hinge bushings welded on all sides with hook



Removable control switch box with extended coiled cable



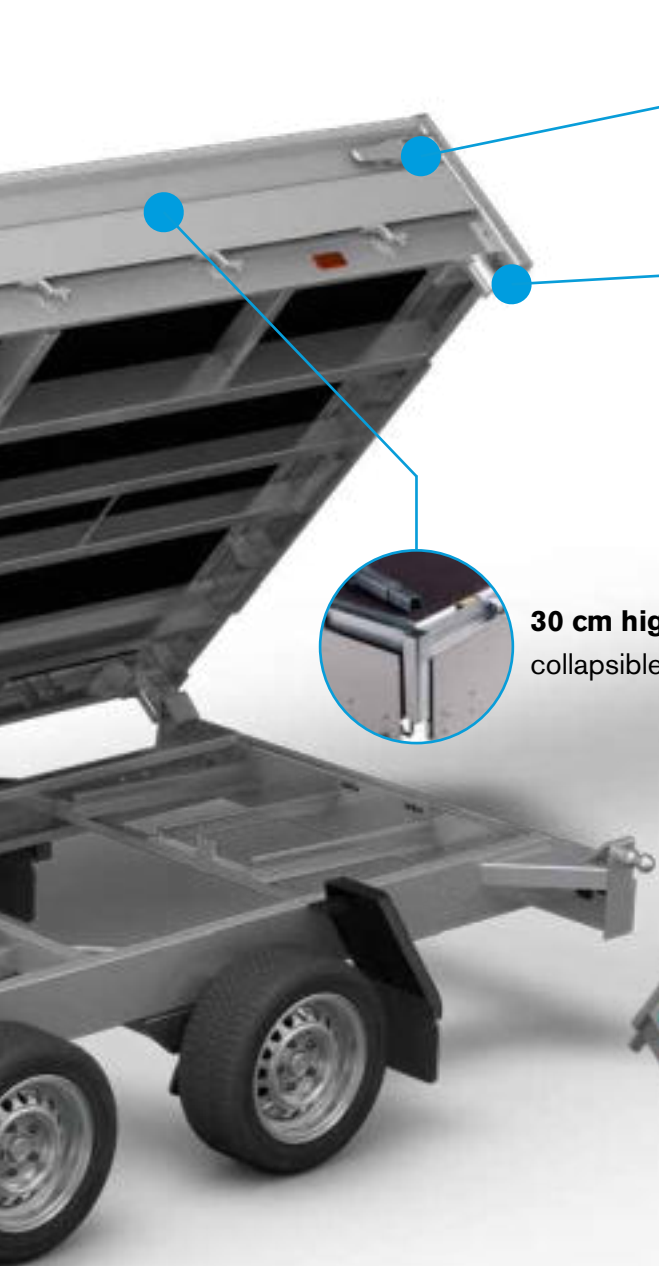
Robust electric pump with battery circuit breaker

A welded and hot-dipped chassis. With 10-year chassis warranty

Automatic fold-away support wheel

Bolted V-shaped drawbar

(Ferro)

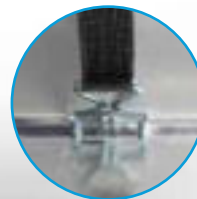


Built-in tension locks
(flush with the panels)

Corner protection via mounting
of special ball holders and locking pins



30 cm high aluminium walls,
collapsible on 4 sides



TÜV certified load securing system



Equipped with a ferro floor.
One single piece, 3 mm galvanised steel sheet



U profile at the rear

5-stage hydraulic cylinder.
Incl. hose breakage protection



EXTRA'S FOR YOUR POWERHOUSE...

- 1 **Parabolic suspension** incl. shock absorbers and black rims. Standard with 375x180 cm and 405x200 cm
- 2 **Detachable front rack** secured in the corner stanchions
- 3 **Battery charger**
- 4 **Emergency hand pump**
- 5 **Fine-mesh cargo cover**
- 6 **Drive-on package:** 2 integrated aluminium loading skids, 250 cm long & 2 adjustable telescoping prop stands with crank
- 7 **Aluminium panels with a height of 70 cm**, swinging
- 8 **Wire-mesh rack with a height of 75 cm**, swinging
- 9 **Canopy**, 180 cm or 210 cm high
- 10 **LED lighting**
- 11 **Tail light guards**

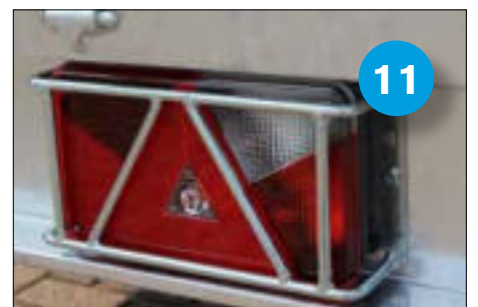
Additional options:

Rear panel hinged at top and bottom only possible for 40 cm high panels

Tie-down hook set under the side edge can also be retrofitted if required



(Ferro)



Technical Data

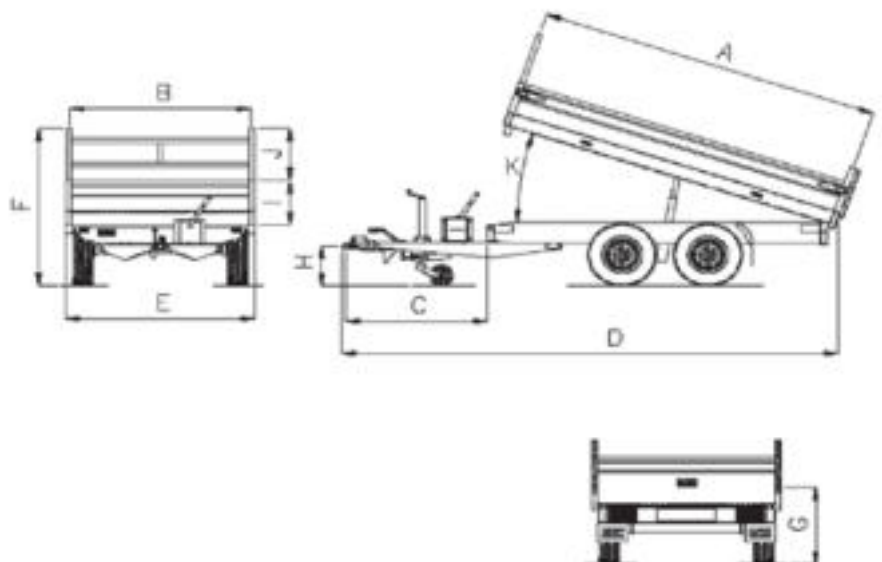
COBALT HM-2 & HM-3 FERRO

	305x180	335x180	405x200	405x200 FERRO	305x180 FERRO
Maximum Gross Weight	2700	2700	3500	3500	2700
Empty weight	824	867	1170	1182	836
Loading capacity	1876	1833	2330	2318	1864
Weight classes 3000 kg.empty weight	+ 13	+ 13	-	-	+ 13
Weight classes 3500 kg empty weight:	+ 47	+ 34	-	-	+ 47
Composite floor instead of multiplex floor (kg)	-	- 112	- 150	-	-
Parabolic suspension incl. shock absorbers	+ 46	+ 46	-	-	+ 46
Model with drive-on package	+ 73	+ 73	+ 64	+ 64	+ 73
Wire rack removable 75 cm High	+ 107	+ 115	+ 128	+ 128	+ 107
Wire rack removable 100 cm High	+ 142	+ 153	+ 170	+ 170	+ 142
Extension aluminium sidewalls 30 cm high	+ 54	+ 56	+ 64	+ 64	+ 54
Extension aluminium sidewalls 40 cm high	+ 64	+ 67	+ 77	+ 77	+ 64
Interior length [A]	305	335	405	405	305
Interior width [B]	180	180	200	200	180
Length drawbar [C]	127	127	130	130	127
Total length [D]	438	468	541	541	438
Total width [E]	186	186	206	206	186
Total height incl. ladder-rack [F]	169	169	169	169	169
Height of the loading floor [G]	69	69	69	69	69
Height of coupling [H]	44	44	44	44	44
Height of the walls [I]	30	30	30	30	30
Height ladder-rack [J]	70	70	70	70	70
Tip-angle [K]	51°	50°	49°	49°	51°
Tip-angle sideways [K]	45°	45°	45°	45°	45°
Tyre size	195/50R13	195/50R13	195/50R13	195/50R13	195/50R13
Number of fixing points integrated in the side	6	6	8	8	6
Number of recesses for rope hook to bolt	12	12	20	20	12

Opties / gewichten

Steunpoten 90 graden draaibaar	+ 15 kg
Reservewiel 195/50R13	+ 20 kg
Stapelrek 70cm. hoog	+ 18 kg

TECHSPECS



335x180 FERRO	335x200 FERRO	375x180 FERRO	405x200 3 ASSER BASIS	405x200 3 ASSER FERRO
------------------	------------------	------------------	--------------------------	--------------------------

2700	2700	3500	3500	3500
879	963	1065	1286	1320
1821	1737	2435	2214	2180
+ 13	+ 13	-	-	-
+ 34	+ 34	-	-	-
-	-	-	- 150	-
+ 46	+ 46	-	-	-
+ 73	+ 73	+ 73	+ 64	+ 64
+ 115	+ 118	+ 120	+ 128	+ 128
+ 153	+ 157	+ 160	+ 170	+ 170
+ 56	+ 58	+ 60	+ 64	+ 64
+ 67	+ 69	+ 72	+ 77	+ 77
335	335	375	405	405
180	200	180	200	200
127	127	130	130	130
468	468	511	541	541
186	206	186	206	206
169	169	169	169	169
69	69	69	69	69
44	44	44	44	44
30	30	30	30	30
70	70	70	70	70
50°	50°	53°	49°	49°
45°	45°	45°	45°	45°
195/50R13	195/50R13	195/50R13	195/50R13	195/50R13
6	6	8	8	8
12	12	12	20	20

Opties / gewichten

Rekwerk met gaas 75 cm. hoog:
Opzetborden 40 cm. hoog:
Stapelrek 70 cm. hoog
Reservewiel

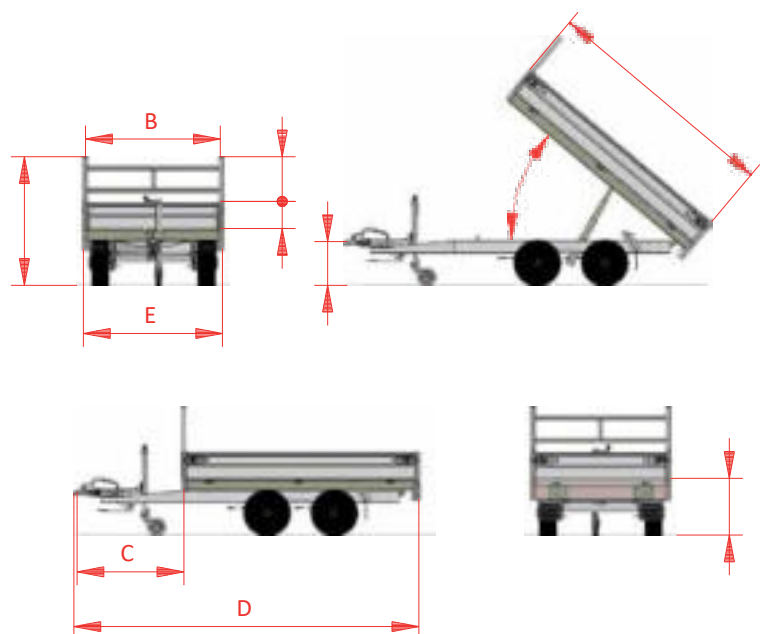
+ 107 kg
+ 67 kg
+ 16 kg
+ 19 kg

COBALT HM+

335x180

Afmetingen/Gewichten

Totaal maximum massa	3500
Ledig gewicht	1056
Laadvermogen	2444
Baklengte binnenwerks [A]	335
Bakbreedte binnenwerks [B]	180
Dissellengte [C]	129
Totale lengte [D]	470
Totale breedte [E]	186
Totale hoogte (incl. rek) [F]	183
Laadvloerhoogte [G]	73
Koppelingshoogte [H]	45
Zijwandhoogte [I]	40
Voorrekhoogte [J]	70
Kip-hoek [K]	55°
Kip-hoek zijwaarts [K]	45°
Bandenmaat	185/70R13C
Aantal bindbeugelsin zijrand	6
Aantal sparringen voor bindhaak	12









SURPRISING STANDARD WITH...



TÜV certified load securing system

40 cm high walls.
Powder-coated in colour anthracite (RAL 7021). Collapsible on 4 sides

Hinge bushings welded all-round.
With hook

U profile at the rear

Built-in tension locks.
(flush with the panels)

LED lighting.
With rear light guards

5-stage hydraulic cylinder.
Incl. hose breakage protection

Tyres 180/70 R13C.
With heavy-duty lugged tread and black rim

A welded and hot-dipped chassis.
With 10-year chassis warranty

Drive-on package.
(2 reinforced aluminium loading skids integrated in the chassis and 2 adjustable telescoping supports)

Removable front rack. Secured in the special corner stanchion construction

Equipped with a ferro floor.
One single piece, 3mm.
Galvanised steel sheet

Removable control switch box.
Equipped with extended coiled cable

Emergency hand pump mounted

Bolted V-shaped drawbar

Extra heavy duty support wheel. Automatic fold-away

Robust electric pump.
With battery circuit breaker.

Corner protection.
Via the mounting of special ball holders and locking pins

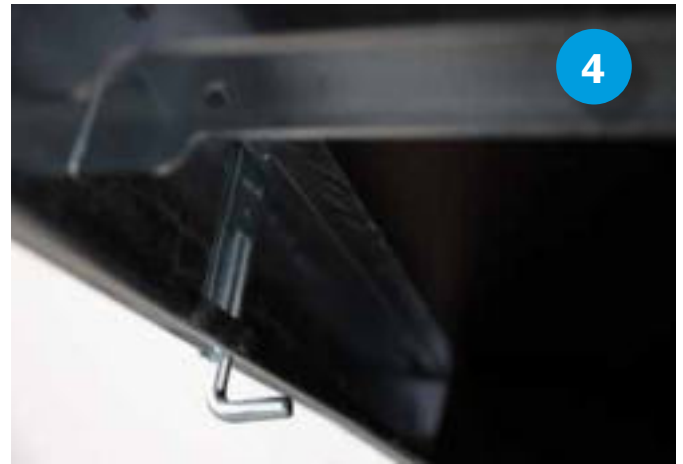




EXTRA'S FOR YOUR POWERHOUSE...

- 1 **Side panels.** 40 cm high. Swinging, in anthracite.
- 2 **Trailer cages.** 75 cm high. Swinging.
- 3 **Flat tarpaulin.** Fitted to trailer.
- 4 **Tie-down hook set.** Under the side edge.
- 5 **Rear panel.** Hinged at top and bottom.





HAPERT PARABOLIC SUSPENSION



A SUMMARY OF ALL THE ADVANTAGES

- Smoother suspension system
- Optimal and constant tensional forces
- Parabolic suspension has a long lifespan
- Lighter than traditional leaf spring suspension
- Maximum comfort
- Stable, also when trailer is laden
- Optimal road holding

A parabolic suspension system ensures optimum and constant weight distribution over the entire trailer and helps compensate for any unevenness on the road surface. Even if the trailer is fully loaded, the parabolic suspension with axle-mounted shock absorbers provides maximum driving comfort and system stability.

THE ULTIMATE TRAILER FOR HEAVIER WORK

We know better than anyone how important it is for every load to reach its destination quickly and undamaged.

Durable transport solutions that guarantee the safe and stable movement of goods, day in and day out.

For heavier work, we supply sturdy trailers in the 3,500 kilogram weight class: powerful, heavy-duty models with parabolic suspension axles, including shock absorbers. This type of trailer is designed specifically for keeping even the heaviest loads stable during transport while ensuring driver comfort.



HAPERT COMPOSITE



HAPERT
AANHANGWAGENS

At HAPERT Trailers, innovation is a never-ending journey in which we strive to continuously innovate and optimise our trailers. We'd like to take you along in this process. Our latest innovation: the composite floor!

As sustainability continues to be one of HAPERT's core values, we are investigating the possibility of replacing all wooden flooring with composite over time. For the moment, HAPERT offers the composite floor as an option. Wood is a beautiful material, but it's also very heavy. Composite is half the weight, easy to repair, sustainable, and simple to recycle.

Composite is a durable, high-quality composition of materials. Composite is so strong and light that it is a viable replacement for conventional materials such as wood and most metals. The new floor is composed of thermoplastic composites with skin layers of glass fibre and polypropylene. You can compare the structure of composite to a lasagne, layer upon layer of fibrous materials. Combining both these materials creates an extremely durable, super strong and lightweight panel.

Curious about the possibilities or do you want to see the floor in real life? Contact one of our dealers today!
<https://hapert.com/nl/dealers> or scan the QR-code



A SUMMARY OF ALL THE ADVANTAGES

- Weight saving
- Longer service life
- Very strong
- Sustainable
- Fully recyclable
- Repair options
- Lowest TCO

innovation by **H-LAB**

WANT TO MORE?

WWW.HAPERT.COM

All the information and illustrations in this brochure are based on the specifications of the trailer that were valid at the time the brochure went to press. The model range, technical specifications and options may be changed without prior notice. Please contact your Hapert dealer for the most up-to-date information. This brochure has been compiled with the greatest possible care and no liability can be accepted for any inaccuracies. We reserve the right to make changes.



HAPERT COBALT
KIPPERS