



HAPERT
TRAILERS

HAPERT SAPPHIRE THE HIGH-QUALITY BOX TRAILER



**BRING
IT ON.**

WWW.HAPERT.COM



BRING IT ON.

Confidence

Has to be earned,
By being the strongest,
By doing what you believe in, right from the very start.

You need confidence to build for the future,
to close old chapters and start new ones.

Trust brings you together. It's what you have in each other,
in your friendship and what you pass on to the next generation.

We are HAPERT.

We've been building trust since 1966.
With skilful hands, and a passion for the business,
An innovative approach, with a view to tomorrow.

Our trailers are built to get every job done.

Whatever the challenge, confidence gives you the power to handle anything.

BRING IT ON!

Curious about our corporate video?
Then scan the QR code.



BOX TRAILERS.

Sapphire L-1



Sapphire L-2



REFRIGERATED BOX TRAILERS.

Sapphire L-1



Sapphire L-2



RAISED BOX TRAILERS.

Sapphire H-1



Sapphire H-2



Sapphire H-3







MADE IN BRITAIN
£35.00

MADE IN BRITAIN
£49.95

MADE IN BRITAIN
£35.00

MADE IN BRITAIN
£51.95



SAPPHIREL-1 & L-2

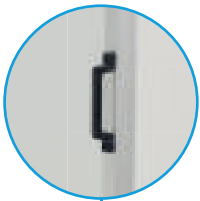
SURPRISING STANDARD WITH...



Inside lighting

Profiles of the construction
anodized aluminium

Functional drawbar fitting
for variable coupling height setting



2 handgrips on the front

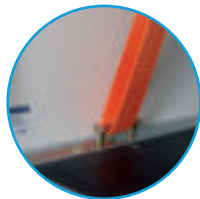
**Bolted V-shaped
drawbar**

**Automatic fold-away support
wheel**

**Welded and hot-dip galvanised
chassis**
with a 10-year chassis warranty



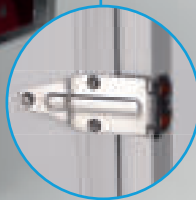
One-piece solid walls



TÜV-geprüftes Ladungssicherungssystem



2 rear doors with lockable closure



Stainless steel fasteners



15 mm plywood floor with antislip layer

Retention holes for mounting support



Stainless steel door holdbacks

Steel mudguards with mud flap

EXTRA OPTIONS FOR YOUR POWERHOUSE...

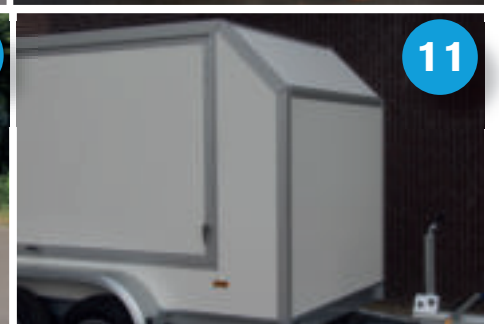
Options and accessories back

- 1 Side door approx. 680 mm wide, mounted in right side wall starting at front.
- 2 Sales flap mounted, can be placed on both the left and right (in the direction of travel).
- 3 Loading ramp on gas springs and equipped with double closure (left and right)
- 4 The ramp is standard equipped with a grey, anti-slip coating
- 5 Sales flap in 2 parts with fixed central intermediate post
- 6 1 or 2 aluminum sliding or roller shutter(s) (max. 150 cm wide) in the side wall incl.
- 7 1 or 2 aluminum sliding or roller shutter(s) (max. 150 cm wide) in the side wall incl.
- 8 1 or 2 aluminum sliding or roller shutter(s) (max. 150 cm wide) in the side wall incl.
- 9 1 or 2 aluminum sliding or roller shutter(s) (max. 150 cm wide) in the side wall incl.

- 10 Option: hinged roof (front) with side reinforcement (possible up to maximum dimensions of L x W x H: 3000x1500x1800 mm) in combination with ramp option
- 11 Chamfer the front (roof/front wall), equal angle, dimensions approx. 400 x 400 mm
Rising flap mounted at the rear instead of 2 rear doors

Other options

- Gray walls (core of multiplex layered wood) in 15 mm with coating on the outside in the color gray, RAL 7001 (white on the inside of the superstructure), maximum panel size is 4000 mm long and 1800 mm high
- Walls in 25 mm (from 1 piece, insulating, panel made of polyester top layer approx. 1.5 mm / plywood wood insert approx. 4 mm / insulating foam/ plywood wood insert approx. 4 mm/ top layer polyester approx. 1.5 mm)
- Walls ABS (core of plywood laminated wood) with coating on the outside in ABS in 15 mm (outer panel provided with an extra smooth coating layer, ideal for stickers). Maximum panel size is 4000 mm long and 2100 mm high



TECHNICAL DATA BOX TRAILERS.

SAPPHIRE L-1

		200 x 110 150 height	200 x 130 150 height	250 x 130 150 height	250 x 150 150 height
Total maximum weight (kg)		1350	1350	1350	1350
Empty weight (kg)		350	398	454	498
Loading capacity (kg)		1000	952	896	852
Weight classes 1500 kg empty weight (kg)		+ 3	+ 3	+ 3	+ 3
Weight classes 1800 kg empty weight (kg)		+ 20	+ 20	+ 20	+ 20
Weight classes 750 kg empty weight (kg)		- 55	- 55	- 55	- 55
Height 150 cm (kg)		-	-	-	-
Height 180 cm (kg)		+ 8	+ 9	+ 11	+ 12
Height 210 cm (kg)		-	-	-	+ 24
Tailboard instead of 2 rear doors (kg)		+ 18	+ 18	+ 18	+ 22
Interior length (cm)	[A]	200	200	250	250
Interior width (cm)	[B]	110	130	130	150
Length drawbar (cm)	[C]	126	126	126	126
Total length (cm)	[D]	335	335	385	385
Total width (cm)	[E]	158	178	178	198
Total height (cm)	[F]	208	208	208	208
Floor height (cm)	[G]	54	54	54	54
Height of coupling (cm)	[H]	46	46	46	46
Usable width of rear door (cm)	[I]	102	122	122	142
Usable height of rear door (cm)	[J]	148	148	148	148
Usable width of rear door (cm)	[K]	58	58	68	68
Tyre size		185R14C	185R14C	185R14C	185R14C
Number of tie-down brackets integrated in side edge		4	4	6	6

SAPPHIRE L-2

		250 x 130 150 height	250 x 150 150 height	300 x 130 180 height	300 x 150 180 height
Total maximum weight (kg)		2000	2000	2000	2000
Empty weight (kg)		528	555	610	638
Loading capacity (kg)		1472	1445	1390	1362
Weight classes 2700 kg. Empty weight (kg)		+ 30	+ 30	+ 30	+ 30
Weight classes 3000 kg. Empty weight (kg)		+ 36	+ 40	+ 36	+ 40
Weight classes 3500 kg. Empty weight (kg)		+ 74	+ 78	+ 74	+ 78
Height 150 cm (kg)		-	-	- 13	- 15
Height 180 cm (kg)		+ 11	+ 12	-	-
Height 210 cm (kg)		-	+ 24	+ 13	+ 15
Height 230 cm (kg)		-	-	-	-
Height 250 cm (kg)		-	-	-	-
Tailboard instead of 2 rear doors (kg)		+ 18	+ 22	+ 21	+ 25
Interior length (cm)	[A]	250	250	300	300
Interior width (cm)	[B]	130	150	130	150
Length drawbar (cm)	[C]	126	126	126	126
Total length (cm)	[D]	385	385	435	435
Total width (cm)	[E]	178	198	178	198
Total height (cm)	[F]	206	206	236	236
Floor height (cm)	[G]	52	52	52	52
Height of coupling (cm)	[H]	44	44	44	44
Usable width of rear door (cm)	[I]	122	142	122	142
Usable height of rear door (cm)	[J]	148	148	178	178
Usable width of side door	[K]	45	45	68	68
Tyre size		185/70R13	185/70R13	185/70R13	185/70R13
Number of tie-down brackets integrated in side edge		6	6	6	6

300 x 130
180 height

1350
516
834
+ 3
+ 20
-
- 13
-
+ 13
+ 21
300
130
126
435
178
238
54
46
122
178
68
185R14C
6

300 x 150
180 height

1350
562
788
+ 3
+ 20
-
- 15
-
+ 15
+ 25
300
150
126
435
198
238
54
46
142
178
68
185R14C
6

300 x 180
180 height

1350
605
745
+ 3
+ 20
-
- 17
-
+ 17
+ 25
300
180
126
435
228
238
54
46
172
178
68
85R14C
6

300 x 180
180 height

2000
683
1317
+ 30
+ 48
+ 80
- 17
-
+ 17
-
-
+ 25
300
180
126
435
228
236
52
44
172
178
68
185/70R13
6

350 x 150
180 height

2700
722
1978
-
+ 11
+ 50
- 20
-
+ 20
+ 31
+ 42
+ 25
350
150
126
485
198
238
55
46
142
178
68
185R14C
8

350 x 180
180 height

2700
754
1946
-
+ 11
+ 52
- 23
-
+ 23
+ 36
+ 49
+ 25
350
180
126
485
228
238
55
46
172
178
68
185R14C
8

400 x 150
180 height

2700
784
1916
-
+ 11
+ 50
- 22
-
+ 22
+ 35
+ 48
+ 25
400
150
126
535
198
238
55
46
142
178
68
185R14C
8

400 x 180
180 height

2700
850
1850
-
+ 11
+ 52
- 26
-
+ 26
+ 41
+ 56
+ 25
400
180
126
535
228
238
55
46
172
178
68
185R14C
8







SAPPHIREL-1 & L-2 Refrigerated trailer

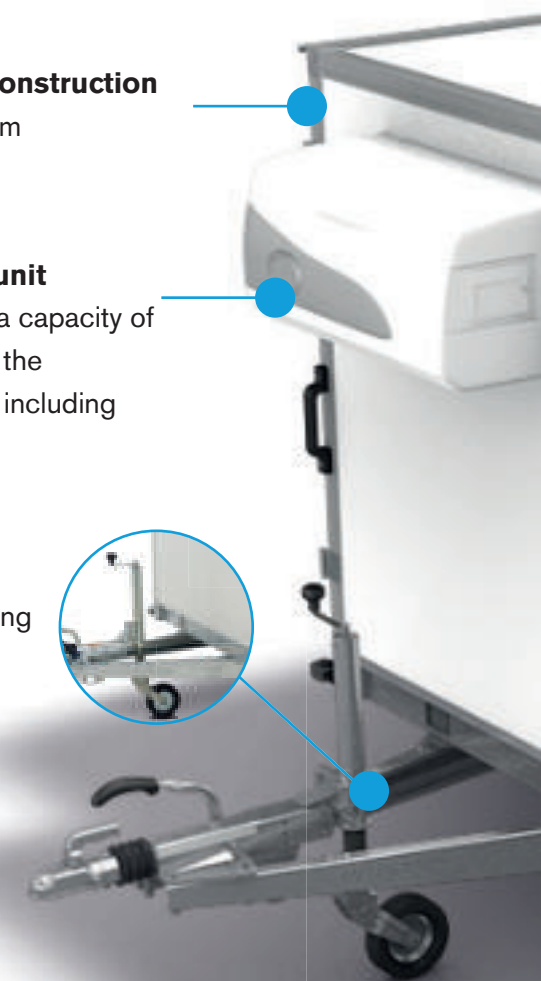
SURPRISING STANDARD WITH...

Profiles of the construction
anodized aluminium

Refrigeration unit
230/50Hz with a capacity of
1600W/2°C on the
reinforced front, including
extension cable

2 handgrips on the front

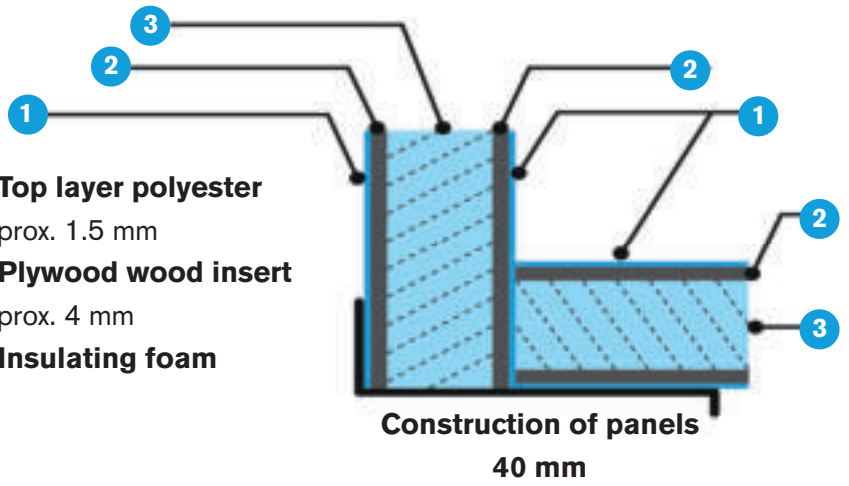
Functional drawbar fitting
for variable coupling height setting



**Welded and hot-dip galvanised
chassis**
with a 10-year chassis warranty

**Automatic fold-away
support wheel**

Bolted V-shaped drawbar



10 YEAR CHASSIS WARRANTY



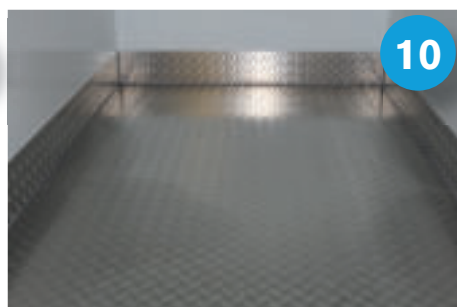
EXTRA OPTIONS

FOR YOUR POWERHOUSE...

- 1** Fully welded and hot-dip galvanized chassis for single and tandem axles
- 2** Single-axle refrigerated trucks up to 1800 kg gross payload, dimensions up to and including a maximum of 300 x 150 x 210 cm
- 3** Side door approx. 680 mm wide, mounted in right side wall starting at the front
- 4** Reinforced walls, roof and floor are in one piece and consist of fully insulated 400 mm thick panels (panel made of polyester top layer approx. 1.5 mm / plywood wood insert approx. 4 mm / insulating foam/plywood wood insert approx. 4 mm / top layer polyester approx. 1.5 mm)
- 5** Cooling unit 230/50 Hz with a capacity of 1600 W/2° degrees on the reinforced front incl. extension cable
Also 2 handles mounted on the front for easy maneuvering of the trailer
- 6** Double-axle refrigerated trucks up to 3500 kg gross payload, dimensions up to and including a maximum of 400 x 180 x 210 cm
- 7** Cooling compartment on the inside incl. interior lighting
- 8** Mudguard brackets mounted for mounting mudguards

Options:

- 9** Support legs, heavy duty (90° adjustable/rotatable) incl. crank
- 10** Aluminum checker plate on the insulated floor and optional bumper
- 11** Aluminum fender mounted on the front and sides



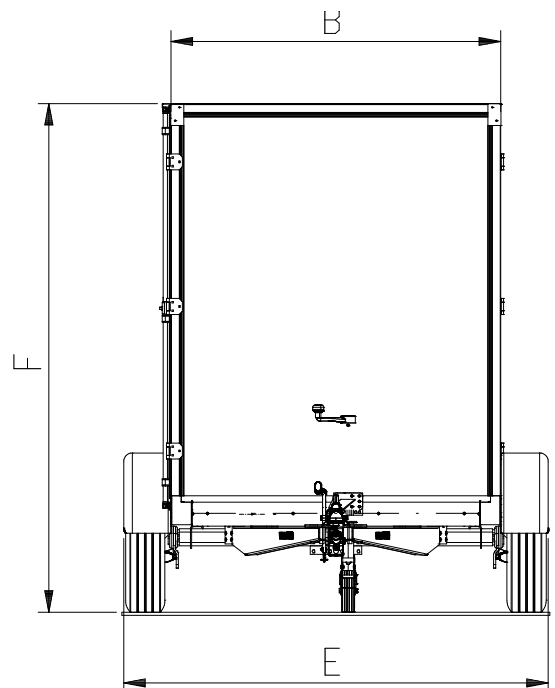
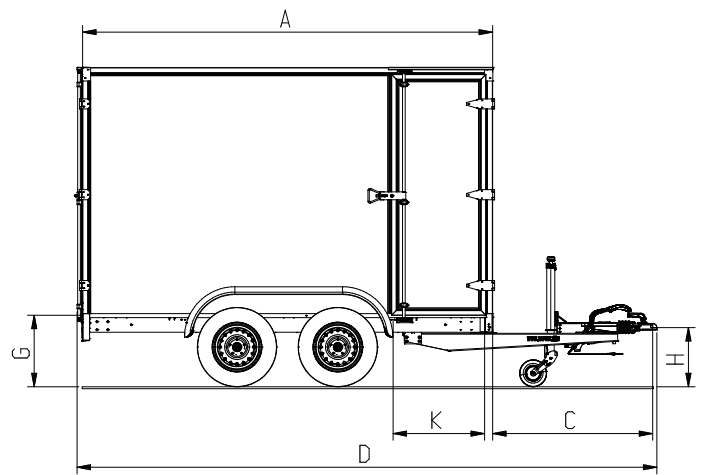
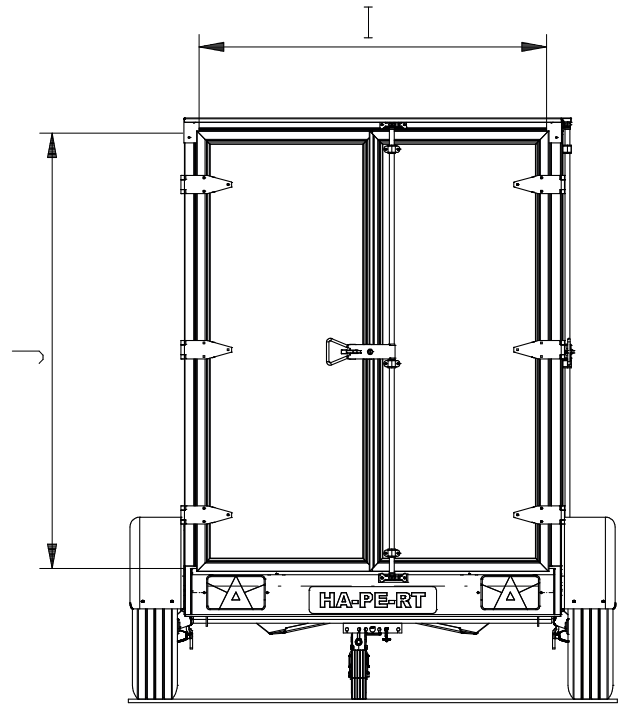
TECHNICAL DATA BOX TRAILERS.

SAPPHIRE L-1 REFRIGERATED BOX TRAILERS

		255 x 134 150 height	255 x 154 150 height	305 x 134 180 height	305 x 154 180 height
Total maximum weight (kg)		1350	1350	1350	1350
Empty weight (kg)		549	580	598	650
Loading capacity (kg)		801	770	752	700
Weight classes 1500 kg empty weight (kg)		+ 3	+ 3	+ 3	+ 3
Weight classes 1800 kg empty weight (kg)		+ 19	+ 19	+ 19	+ 19
Height 150 cm (kg)		-	-	- 30	- 32
Height 180 cm (kg)		+ 26	+ 28	-	-
Height 210 cm (kg)		+ 52	+ 56	+ 30	+ 32
Interior length (cm)	[A]	246	246	296	296
Interior width (cm)	[B]	125	145	125	145
Length drawbar (cm)	[C]	125	125	125	125
Total length (cm)	[D]	383	383	433	433
Total width (cm)	[E]	179	199	179	199
Total height (cm)	[F]	208	208	238	238
Floor height (cm)	[G]	56	56	56	56
Height of coupling (cm)	[H]	45	45	45	45
Usable width of rear door (cm)	[I]	122	142	122	142
Usable height of rear door (cm)	[J]	145	145	175	175
Usable width of side door (cm)	[K]	68	68	68	68
Tyre size		185R14C	185R14C	185R14C	185R14C

SAPPHIRE L-2 REFRIGERATED BOX TRAILERS

		305 x 154 180 height	305 x 184 180 height	355 x 184 180 height	405 x 184 180 height
Total maximum weight (kg)		2000	2000	2700	2700
Empty weight (kg)		710	760	910	942
Loading capacity (kg)		1290	1240	1790	1758
Weight classes 2700 kg. Empty weight (kg)		+ 30	+ 30	-	-
Weight classes 3000 kg. Empty weight (kg)		+ 40	+ 40	+ 10	+ 10
Weight classes 3500 kg. Empty weight (kg)		+ 76	+ 76	+ 46	+ 46
Height 150 cm (kg)		- 32	- 34	- 37	- 41
Height 210 cm (kg)		+ 32	+ 34	+ 37	+ 41
Interior length (cm)	[A]	296	296	346	396
Interior width (cm)	[B]	145	175	175	175
Length drawbar (cm)	[C]	125	125	125	125
Total length (cm)	[D]	433	433	483	533
Total width (cm)	[E]	199	229	229	229
Total height (cm)	[F]	235	235	238	238
Floor height (cm)	[G]	54	54	57	57
Height of coupling (cm)	[H]	44	44	47	47
Usable width of rear door (cm)	[I]	142	172	172	172
Usable height of rear door (cm)	[J]	175	175	175	175
Usable width of side door (cm)	[K]	68	68	68	68
Tyre size		185/70R13	185/70R13	185R14C	185R14C



HAPERT CHASSIS WARRANTY

REGISTER AND RECEIVE A 10-YEAR WARRANTY ON THE CHASSIS + 1 YEAR ADDITIONAL FACTORY WARRANTY!



At HAPERT, we settle for nothing less than the best quality. That's why all our trailers are delivered as standard with the possibility to extend the warranty period to 2 years, and even up to 10 years on the chassis.

This is how it works:

- 1. Collect your trailer at your local HAPERT dealer**
- 2. Within 5 working days after your purchase, visit: www.hapert.com/register and register your trailer for an extended warranty**
- 3. We'll send you your updated warranty certificate by e-mail. Please store it safely!**

* having trouble registering your trailer online? Call us on +31 (0) 497 38 68 68. We would be happy to send you a printed copy

* View our warranty policy for all conditions at: hapert.com/register

THE STRONGEST IS NOW ALSO THE SMARTEST



LEASE
FROM
52.00
EURO
/MONTH



HAPERT FULL SERVICE LEASE

Are you self-employed and need a trailer? Or does your company already use several trailers and would you like to expand your trailer fleet? Buying a new trailer can be a big investment for many entrepreneurs. That's why we are now offering the option of leasing your HAPERT trailer, so you don't have to invest a large sum. By choosing HAPERT Full-Service Lease, you only pay for the use of your trailer and the leasing company takes care of the rest. But that's not all. The costs for preventive maintenance are included in the lease price. Another benefit is that you don't need to add the trailer to your balance sheet because it isn't classified as a business asset.

LEASING AS EASY AS 123

- Operational Lease from € 3.000
- After the standard term of 5 years, the possibility to:
 - Take over ownership of the trailer at an attractive price
 - Lease a new trailer based on the same principles
- Including interest, depreciation, annual maintenance and insurance
- From € 52.00 a month

THE ADVANTAGES OF HAPERT FULL SERVICE LEASE

- ✓ You know exactly what you spend each month on a trailer
- ✓ No major investment needed and still enjoy use of a new trailer
- ✓ No need to add the trailer on your balance sheet, which can be financially advantageous
- ✓ Clear insight into the monthly costs
- ✓ Annual maintenance included; your trailer is always in top condition





 **HAPERT** 10 Jahre



SAPPHIREH-1, H-2 & H-3

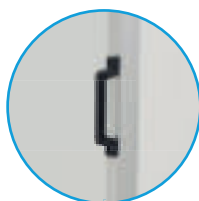
SURPRISING STANDARD WITH...



Inside lighting

Profiles of the construction
anodized aluminium

Functional drawbar fitting
for variable coupling height setting



2 handgrips on the front



Bolted V-shaped drawbar

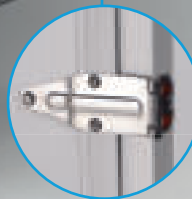
Automatic fold-away support wheel

Welded and hot-dip galvanised chassis, with a 10-year chassis warranty

One-piece solid walls



2 rear doors
with lockable closure



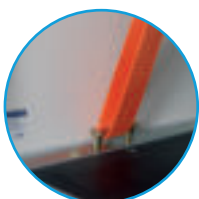
Stainless steel fasteners



15mm plywood floor
with antislip layer

Retention holes
for mounting support

Front & Rear mudguards
with mud flap



TÜV certified load securing system



Stainless steel door holdbacks

EXTRA OPTIONS FOR YOUR POWERHOUSE...

- 1 Side door approx. 680 mm wide, mounted in right side wall starting at the front
- 2 Down ramp on gas springs and equipped with double closure (left and right)
- 3 Sales flap mounted, can be placed on the left or right (in the direction of travel).
- 4 Rising valve mounted at the rear instead of 2 rear doors
- 5 The ramp is standard equipped with a grey, anti-slip coating
- 6 Chamfer front (roof/front wall), equal angle, size approx. 400 x 400 mm
- 7 Sales hatch in 2 parts and ramp
- 8 Double side door
- 9 1 or 2 aluminum sliding or roller shutters with a maximum width of 150 cm
- 10 sliding or roller shutter(s) at the rear with a maximum width of 150 cm
- 11 2 ramps (aluminium, 2500 mm long) integrated under the floor

Other options:

- 5 Walls (core of multiplex layered wood) in 15 mm with coating on the outside in the color grey, RAL 7001 (white on the inside of the superstructure), maximum panel size is 4000 mm long and 1800 mm high (photo 5)

Walls in 25 mm (from 1 piece, insulating, panel made of polyester top layer approx. 1.5 mm / plywood wood insert approx. 4 mm / insulating foam / plywood wood insert approx. 4 mm / top layer polyester approx. 1.5 mm)

Walls in ABS (core of plywood layered wood) with coating on the outside in 15 mm (outside of the panel with an extra smooth coating layer, ideal for stickers). Maximum panel size is 4000 mm long and 2100 mm high



TECHNICAL DATA BOX TRAILERS

SAPPHIRE H-1

		280 x 160 180 height	305 x 160 180 height	305 x 180 180 height	335 x 160 180 height
Total maximum weight (kg)		1350	1350	1350	1350
Empty weight (kg)		574	590	605	615
Loading capacity (kg)		776	760	745	735
Weight classes 1500 kg empty weight (kg)		+ 5	+ 5	+ 5	+ 5
Weight classes 1800 kg empty weight (kg)		+ 20	+ 20	+ 20	+ 20
Height 150 cm (kg)		- 27	- 29	- 31	- 33
Height 210 cm (kg)		+ 27	+ 29	+ 31	+ 33
Tailboard instead of 2 rear doors (kg)		+ 32	+ 32	+ 36	+ 32
Interiour length (cm)	[A]	276	301	301	331
Interiour width (cm)	[B]	156	156	176	156
Length drawbar (cm)	[C]	126	126	126	126
Total length (cm)	[D]	414	439	439	469
Total width (cm)	[E]	164	164	184	164
Total height	[F]	248	248	248	248
Height floor 195/50R13 (cm)	[G]	64	64	64	64
Height floor 185/70R13C (cm)	[G]	73	73	73	73
Height of coupling (cm)	[H]	43	43	43	43
Usable width of rear door (cm)	[I]	148	148	168	148
Usable height of rear door (cm)	[J]	180	180	180	180
Usable width of side door (cm)	[K]	68	68	68	68
Tyre size		195/50R13C	195/50R13C	195/50R13C	195/50R13C
Number of tie-down brackets integrated in side edge		6	6	6	6

SAPPHIRE H-2

		280 x 160 180 height	305 x 160 180 height	305 x 180 180 height	335 x 160 180 height
Total maximum weight (kg)		2000	2000	2000	2700
Empty weight (kg)		632	650	669	711
Loading capacity (kg)		1368	1350	1331	1989
Weight classes 2700 kg empty weight (kg)		+ 30	+ 30	+ 30	-
Weight classes 3000 kg empty weight (kg)		+ 42	+ 42	+ 42	+ 12
Gewichtsklassen 3500 kg empty weight (kg)		+ 77	+ 77	+ 77	+ 47
Height 150 cm (kg)		- 27	- 29	- 31	- 33
Height 180 cm (kg)		-	-	-	-
Height 210 cm (kg)		+ 27	+ 29	+ 31	+ 33
Height 230 cm (kg)		-	-	-	-
Height 250 cm (kg)		-	-	-	-
Tailboard instead of 2 rear doors (kg)		+ 32	+ 32	+ 36	+ 32
Interiour length (cm)	[A]	276	301	301	331
Interiour width (cm)	[B]	156	156	176	156
Length drawbar (cm)	[C]	126	126	126	126
Total length (cm)	[D]	414	439	439	469
Total width (cm)	[E]	164	164	184	164
Total height	[F]	247	247	247	247
Height floor 195/50R13 (cm)	[G]	64	64	64	64
Height floor 185/70R13C (cm)	[G]	73	73	73	73
Height of coupling (cm)	[H]	44	44	44	46
Usable width of rear door (cm)	[I]	148	148	168	148
Usable height of rear door	[J]	180	180	180	180
Usable width of side door (cm)	[K]	68	68	68	68
Tyre size		195/50R13C	195/50R13C	195/50R13C	195/50R13C
Number of tie-down brackets integrated in side edge		6	6	6	6

335 x 180 180 height	335 x 200 180 height	335 x 220 180 height	405 x 180 180 height	405 x 200 180 height
1350	1350	1350	1350	1350
645	675	705	750	780
705	675	645	600	570
+ 5	+ 5	+ 5	+ 5	+ 5
+ 20	+ 20	+ 20	+ 20	+ 20
- 35	- 37	- 39	- 39	- 44
+ 35	+ 37	+ 39	+ 39	+ 44
+ 36	+ 42	+ 46	+ 36	+ 42
331	331	331	401	401
176	196	216	176	196
126	126	126	126	126
469	469	469	539	539
184	204	224	184	204
248	248	248	248	248
64	64	64	64	64
73	73	73	73	73
43	43	43	43	43
168	188	208	168	188
180	180	180	180	180
68	68	68	68	68
195/50R13C	195/50R13C	195/50R13C	195/50R13C	195/50R13C
6	6	6	8	8

335 x 180 180 height	335 x 200 180 height	335 x 220 180 height	405 x 180 180 height	405 x 200 180 height
2700	2700	2700	2700	2700
744	784	824	822	852
1956	1916	1876	1878	1848
-	-	-	-	-
+ 12	+ 12	+ 12	+ 12	+ 12
+ 47	+ 47	+ 47	+ 47	+ 47
- 35	- 37	- 38	- 39	- 41
-	-	-	-	-
+ 35	+ 37	+ 38	+ 39	+ 41
-	-	-	-	-
-	-	-	-	-
+ 36	+ 42	+ 44	+ 36	+ 42
331	331	331	401	401
176	196	216	176	196
126	150	150	126	150
469	493	493	539	563
184	204	224	184	204
247	247	247	247	247
64	64	64	64	64
73	73	73	73	73
46	46	46	46	46
168	188	208	168	188
180	180	180	180	180
68	68	68	68	68
195/50R13C	195/50R13C	195/50R13C	195/50R13C	195/50R13C
6	6	6	8	8

TECHNICAL DATA RAISED BOX TRAILERS

SAPPHIRE H-2

		405 x 220 210 height	455 x 180 210 height	455 x 200 210 height	505 x 200 210 height
Maximum Gross Weight (kg)		2700	2700	2700	2700
Empty weight (kg)		958	970	1006	1120
Loading capacity (kg)		1742	1730	1694	1580
Weight classes 2700 kg empty weight:		-	-	-	-
Weight classes 3000 kg empty weight:		+ 12	+ 12	+ 12	+ 12
Weight classes 3500 kg empty weight:		+ 47	+ 47	+ 47	+ 47
Height 150 cm		-	-	-	-
Height 180 cm		-	- 42	- 44	- 47
Height 210 cm		-	-	-	-
Height 230 cm		+ 27	+ 28	+ 30	+ 34
Height 250 cm		+ 54	+ 56	+ 60	+ 68
Tailboard instead of 2 rear doors (kg)		+ 44	+ 36	+ 49	+ 49
Interiour length (cm)	[A]	401	449	449	499
Interiour width (cm)	[B]	216	176	194	194
Length drawbar (cm)	[C]	150	126	150	150
Total length (cm)	[D]	563	589	613	663
Total width (cm)	[E]	224	184	204	204
Total hight (cm)	[F]	277	277	277	277
Height floor 195/50R13	[G]	64	64	64	64
Height floor 185/70R13C	[G]	73	73	73	73
Height of coupling	[H]	46	46	46	46
Usable width of rear door (cm)	[I]	208	168	188	188
Usable height of rear door (cm)	[J]	210	210	210	210
Usable width of side door (cm)	[K]	68	68	68	68
Tyre size		195/50R13C	195/50R13C	195/50R13C	195/50R13C
Number of tie-down brackets integrated in side edge		8	12	12	12

SAPPHIRE H-3

		405 x 200 180 height	405 x 220 210 height	455 x 180 210 height	455 x 200 210 height
Maximum Gross Weight (kg)		3500	3500	3500	3500
Empty weight (kg)		1004 *	1078 *	1124 *	1156
Loading capacity (kg)		2496	2422	2376	2344
Height 150 cm		- 41	-	-	-
Height 180 cm		-	-	- 42	- 44
Height 210 cm		+ 41	+ 42	-	-
Height 230 cm		-	+ 27	+ 28	+ 30
Height 250 cm		-	+ 54	+ 56	+ 60
Tailboard instead of 2 rear doors (kg)		+ 42	+ 44	+ 36	+ 42
Interiour length (cm)	[A]	401	401	449	449
Interiour width (cm)	[B]	196	216	174	194
Length drawbar (cm)	[C]	150	150	126	150
Total length (cm)	[D]	563	563	589	613
Total width (cm)	[E]	204	224	184	204
Total hight (cm)	[F]	247	277	277	277
Height floor 195/50R13	[G]	65	65	65	65
Height floor 185/70R13C	[G]	75	75	75	75
Height of coupling	[H]	48	48	48	48
Usable width of rear door (cm)	[I]	188	208	168	188
Usable height of rear door (cm)	[J]	180	210	210	210
Usable width of side door (cm)	[K]	68	68	68	68
Tyre size		195/50R13C	195/50R13C	195/50R13C	195/50R13C
Number of tie-down brackets integrated in side edge		8	8	12	12

**505 x 220
210 height**

2700
1161
1539
-
+ 12
+ 47
-
- 49
-
+ 36
+ 72
+ 53
499
214
150
663
224
277
64
73
46
208
210
68
195/50R13C
12

**605 x 240
210 height**

2700
1336
1364
-
+ 12
+ 47
-
- 59
-
+ 42
+ 84
+ 58
599
234
150
763
244
277
64
73
46
228
210
68
195/50R13C
12

**505 x 200
210 height**

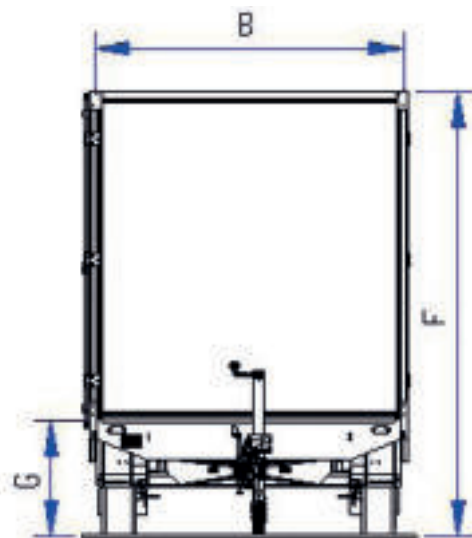
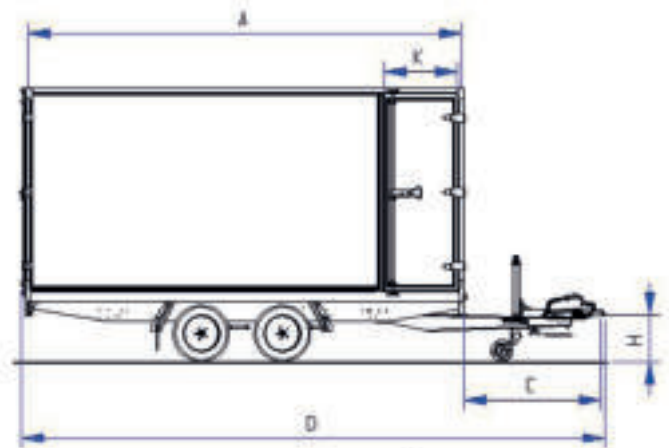
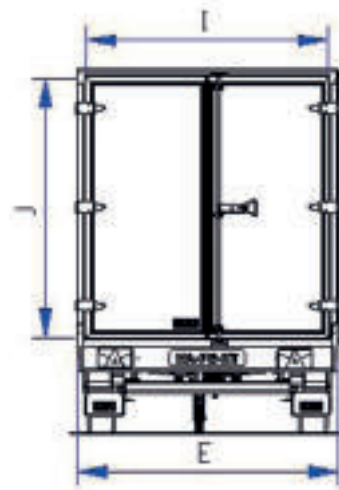
3500
1240
2260
-
- 47
-
+ 34
+ 68
+ 49
499
194
150
663
204
277
65
75
48
188
210
68
195/50R13C
12

**505 x 220
210 height**

3500
1279
2221
-
- 49
-
+ 36
+ 72
+ 53
499
214
150
663
224
277
65
75
48
208
210
68
195/50R13C
12

**605 x 240
210 height**

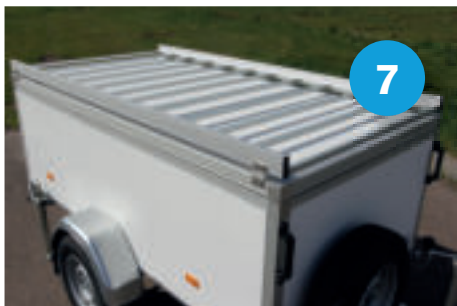
3500
1432
2068
-
- 59
-
+ 42
+ 84
+ 58
599
234
150
763
244
277
65
75
48
228
210
68
195/50R13C
12



* approximate weights

OPTIES AND ACCESSOIRES...

- 1 Support leg with sliding clamp mounted
- 2 Support leg (heavy version (90° adjustable/rotatable) incl. crank
- 3 Binding system; rails mounted on the left and right on the inside in the middle of the closed superstructure including 1x tension tube
- 4 Binding system; rails mounted on the left and right on the inside in the middle of the closed superstructure including 1x tensioning strap
- 5 Spoiler (polyester, color white) mounted at the front
- 6 Chamfer front (roof/front wall), equal angle, size approx. 400 x 400 mm
- 7 Aluminum roof rack mounted
- 8 Roof rack with ladder roller at the rear
- 9 Aluminum profile floor 15 mm instead of plywood floor
- 10 Spare wheel mounted at the front
- 11 Spare wheel mounted under the floor



OPTIES AND ACCESSOIRES...

- 12 Rear lamp shield mounted (not possible with model 1100 mm wide)
- 13 Interior lighting LED (approx. 1100 mm wide)
- 14 Fender supports mounted (left and right)
- 15 Step at the rear (from walkway profile) approx. 80 mm wide
- 16 Front step on the drawbar (made of aluminum checker plate), possible with braked versions
- 17 Window in side wall (slidable) size approx. 600 x 400 mm
- 18 Winch cable hatch in the front wall, dimensions approx. 300 x 300 mm
- 19 1 door in the rear instead of 2 rear doors
- 20 Ventilation grille approx. 250 x 200 mm
- 21 Shock absorbers mounted on the axles
- 22 Parabolic suspension possible with Sapphire H in 3500 kg
- 23 LED lighting and rear light shield



12



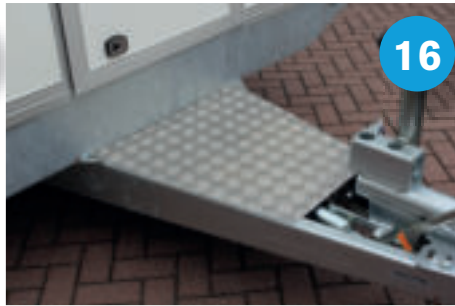
13



14



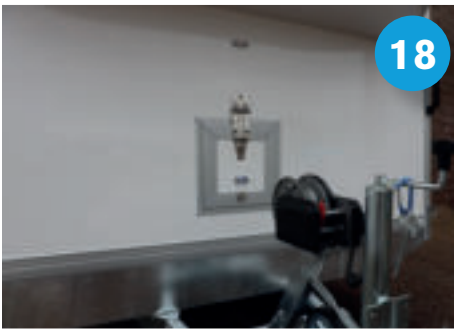
15



16



17



18



20



22



19



21



23

WANT TO MORE?

WWW.HAPERT.COM

All the information and illustrations in this brochure are based on the specifications of the trailer that were valid at the time the brochure went to press. The model range, technical specifications and options may be changed without prior notice. Please contact your Hapert dealer for the most up-to-date information. This brochure has been compiled with the greatest possible care and no liability can be accepted for any inaccuracies. We reserve the right to make changes.



HAPERT SAPPHIRE
BOX VAN TRAILERS