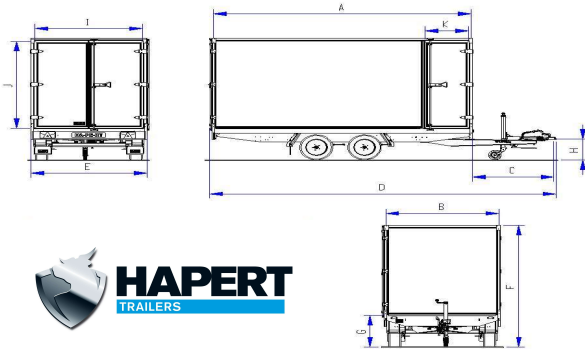


# Technical data

## Sapphire H-2



	H2 2000kg. 280x160 180 high	H2 2000kg. 305x160 180 high	H2 2000kg. 305x180 180 high	H2 2700kg. 335x160 180 high	H2 2700kg. 335x180 180 high	H2 2700kg. 335x200 180 high	H2 2700kg. 335x220 180 high	H2 2700kg. 405x180 180 high	H2 2700kg. 405x200 180 high	H2 2700kg. 405x220 210 high	H2 2700kg. 455x180 210 high	H2 2700kg. 455x200 210 high	H2 2700kg. 505x200 210 high	H2 2700kg. 505x220 210 high	H2 2700kg. 605x240 210 high
<b>Dimensions / weights</b>															
Maximum Gross Weight	2000	2000	2000	2700	2700	2700	2700	2700	2700	2700	2700	2700	2700	2700	2700
Empty weight	632	650	669	711	744	784	824	822	852	958	970	1006	1120	1161	1336
Loading capacity	1368	1350	1331	1989	1956	1916	1876	1878	1848	1742	1730	1694	1580	1539	1364
Weight classes 2700 kg. empty weight:	+ 30	+ 30	+ 30	-	-	-	-	-	-	-	-	-	-	-	-
Weight classes 3000 kg. empty weight:	+ 42	+ 42	+ 42	+ 12	+ 12	+ 12	+ 12	+ 12	+ 12	+ 12	+ 12	+ 12	+ 12	+ 12	+ 12
Weight classes 3500 kg. empty weight:	+ 77	+ 77	+ 77	+ 47	+ 47	+ 47	+ 47	+ 47	+ 47	+ 47	+ 47	+ 47	+ 47	+ 47	+ 47
High 150 cm.	- 27	- 29	- 31	- 33	- 35	- 37	- 38	- 39	- 41	-	-	-	-	-	-
High 180 cm.	-	-	-	-	-	-	-	-	-	-	- 42	- 44	- 47	- 49	- 59
High 210 cm.	+ 27	+ 29	+ 31	+ 33	+ 35	+ 37	+ 38	+ 39	+ 41	-	-	-	-	-	-
High 230 cm.	-	-	-	-	-	-	-	-	-	+ 27	+ 28	+ 30	+ 34	+ 36	+ 42
Loading ramp instead of 2 rear doors	+ 32	+ 32	+ 36	+ 32	+ 36	+ 42	+ 44	+ 36	+ 42	+ 44	+ 36	+ 49	+ 49	+ 53	+ 58
Interior length [A]	276	301	301	331	331	331	331	401	401	401	449	449	499	499	599
Interior width [B]	156	156	176	156	176	196	216	176	196	216	176	194	194	214	234
Length drawbar [C]	126	126	126	126	126	150	150	126	150	150	150	150	150	150	150
Total length [D]	414	439	439	469	469	493	493	539	563	563	613	613	663	663	763
Total width [E]	164	164	184	164	184	204	224	184	204	224	184	204	204	224	244
Total height [F]	250	250	250	250	250	250	250	250	250	280	280	280	280	280	280
Height floor 195/50R13 [G]	65	65	65	65	65	65	65	65	65	65	65	65	65	65	65
Height floor 185/70R13C [G]	73	73	73	73	73	73	73	73	73	73	73	73	73	73	73
Height of coupling [H]	44	44	44	46	46	46	46	46	46	46	46	46	46	46	46
Useful width rear door [I]	148	148	168	148	168	188	208	168	188	208	168	188	188	208	228
Useful height rear door [J]	180	180	180	180	180	180	180	180	180	210	210	210	210	210	210
Useful width pedestrian door [K]	68	68	68	68	68	68	68	68	68	68	68	68	68	68	68
Tyre size	195/50R13C	195/50R13C	195/50R13C	195/50R13C	195/50R13C	195/50R13C	195/50R13C	195/50R13C	195/50R13C	195/50R13C	195/50R13C	195/50R13C	195/50R13C	195/50R13C	195/50R13C
number of fixing points	6	6	6	6	6	6	6	8	8	8	12	12	12	12	12



Dimensions in cm, weights in kg.

All specifications are subject to change

Edition: 2026